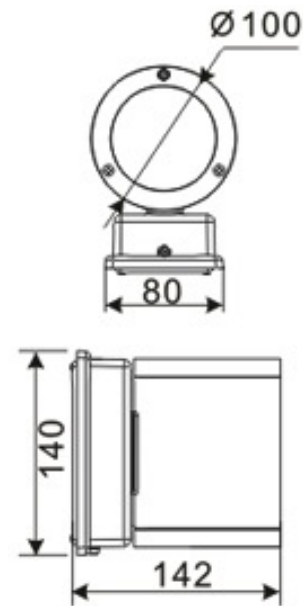


# LED Wall Lighting – LR-W00132



Model No.	LR-W00132
LED Type	CREE XRC
LED Q'TY.	6
Beam Angle	30°
Minimum luminous flux(lm)	408
Voltage	120~240V
LED Watt	6W
Environmental Temperature	- 20°C~60°C
Environmental Humidity	0%-95%
Safety Class	I
Safety Type	IP44
Material	Aluminium
Driver	Included

For more information  
[www.ledrays.com](http://www.ledrays.com)